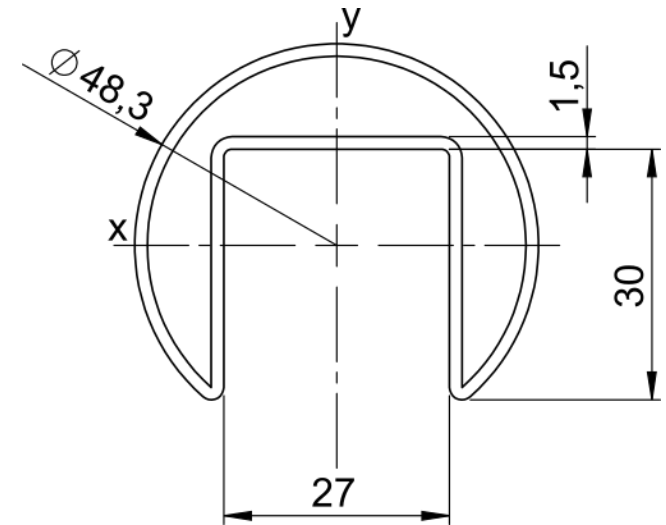


LUX GLENDER Stainless handrail profile - Paula - \varnothing 48,3 x 1,5 mm

Dimensions	
Outer diameter	\varnothing 48,3 mm
Wall thickness	1,5 mm
Groove B x T	27 x 30 mm
Delivery length	6010 mm
Handrail Brand	DAIDALOS®

Item no.	Material	Surface	Weight
A000006	1.4301/07	Blank IIIc 2B	2,4 kg/m
A000008	1.4301/07	K240	2,4 kg/m
A000009	1.4401/04	Blank IIIc 2B	2,43 kg/m
A000253	1.4401/04	K240	2,43 kg/m
A000011	1.4001	Blank IIIc 2B	2,4 kg/m
A000012	1.4001	K240	2,4 kg/m

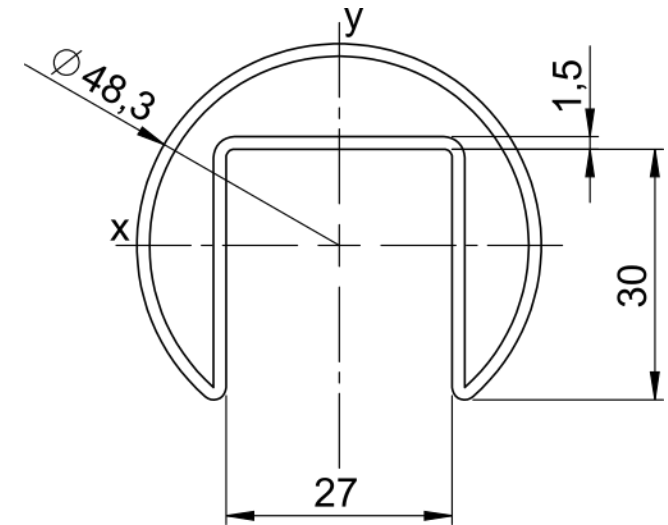
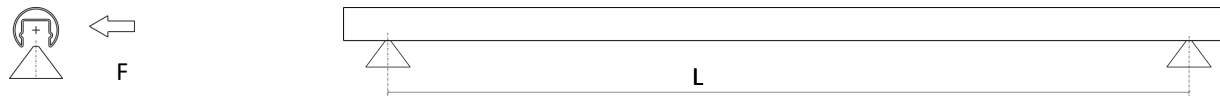
Further polishes, grains, surface coatings - on request



LUX GLENDER Stainless handrail profile - Paula - ϕ 48,3 x 1,5 mm

Resistance- and area moment			
W_x	W_y	I_x	I_y
2,0 m ³	3,2 cm ³	4,6 cm ⁴	7,74 cm ⁴

Maximum span			
Horizontal payload F	0,5 kN/m	1 kN/m	2 kN/m
Maximum profile span L	3 m	2,1 m	1,5 m



Note: This data applies to the profile only. The respective connection points must be calculated separately. For post / support distances in connection with LUX GLENDER brackets see respective product data sheets.

General information about the stainless handrail profile branded by DAIDALOS®

- Profile with cold rolled groove
- Laser beam welded with forming gas, weld seam brushed
- Manufacturing according to DIN EN 10088 T2, DIN EN ISO 9445T2, cold rolled, type 2B
- Dimensions according DIN EN 10162 und EN 10021
- Manufacturers marks in the groove
- Inspection certificate 3.1 available
- Tracks caused by manufacturing process are not excluded, Finishing by customer is necessary.
- A side-cut from both sides is not excluded
- Manufacturing length 6010 mm -0/+20 (Cold saw-cut)