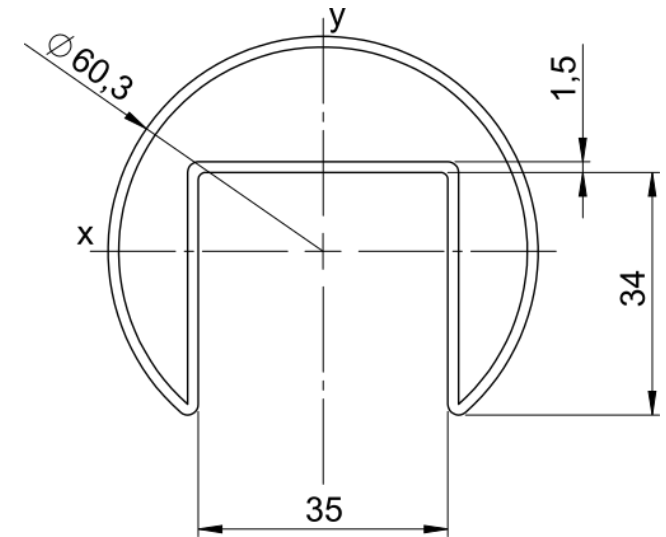


LUX GLENDER Stainless handrail profile - Nina - $\varnothing 60,3 \times 1,5\text{mm}$

Dimensions	
Outer diameter	$\varnothing 60,3 \text{ mm}$
Wall thickness	1,5 mm
Groove B x T	35 x 34 mm
Delivery length	6010 mm
Handrail Brand	DAIDALOS®

Item no.	Material	Surface	Weight
A000013	1.4301/07	Blank IIIc 2B	2,9 kg/m
A000014	1.4301/07	K240	2,9 kg/m
A000015	1.4401/04	Blank IIIc 2B	2,93 kg/m
A000016	1.4401/04	K240	2,93 kg/m

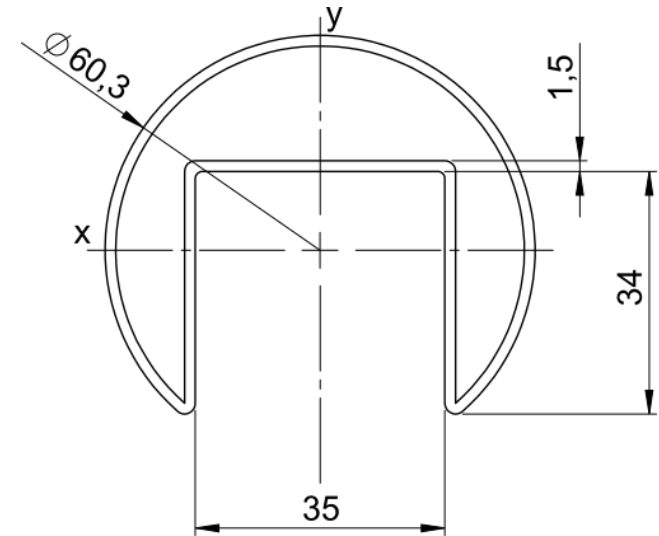
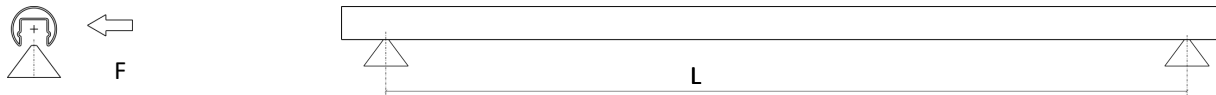
Further polishes, grains, surface coatings - on request



LUX GLENDER Stainless handrail profile - Nina - \varnothing 60,3 x 1,5 mm

Resistance- and area moment			
Wx	Wy	Ix	Iy
3,1 m ³	5,0 cm ³	8,44 cm ⁴	15,05 cm ⁴

Maximum span			
Horizontal payload F	0,5 kN/m	1 kN/m	2 kN/m
Maximum profile span L	3,7 m	2,6 m	1,8 m



Note: This data applies to the profile only. The respective connection points must be calculated separately. For post / support distances in connection with LUX GLENDER brackets see respective product data sheets.

General information about the stainless handrail profile branded by DAIDALOS®

- Profile with cold rolled groove
- Laser beam welded with forming gas, weld seam brushed
- Manufacturing according to DIN EN 10088 T2, DIN EN ISO 9445T2, cold rolled, type 2B
- Dimensions according to DIN EN 10162 und EN 10021
- Manufacturers marks in the groove
- Inspection certificate 3.1 available
- Tracks caused by manufacturing process are not excluded, Finishing by customer is necessary.
- A side-cut from both sides is not excluded
- Manufacturing length 6010 mm -0/+20 (Cold saw-cut)